



^{1/2}
NELSON
21 cm / 8¹/₄"

outside Ø
inside diameter



^{1/1}
A-SI-4947
Fig. 1

7,5 mm

6 mm



A-SI-4948
Fig. 2

9,5 mm

8 mm



A-SI-4949
Fig. 3

11 mm

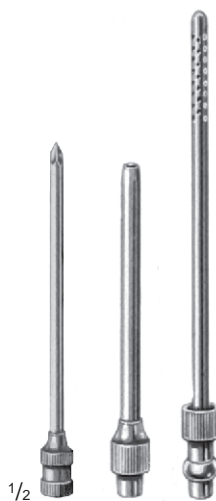
9,5 mm



A-SI-4950
Fig. 4

12 mm

11 mm

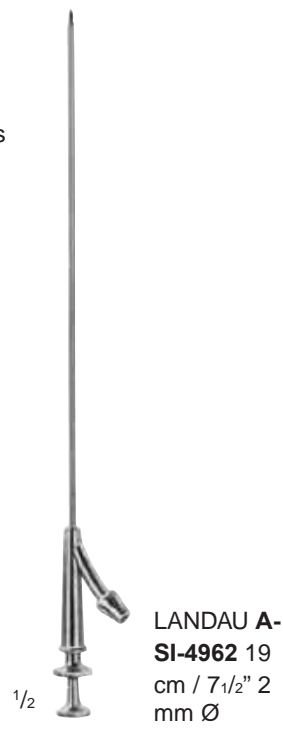


^{1/2}
DUKE **A-SI**
-4951 11
cm / 4¹/₂" 5
,5 mm Ø



for gall bladder

	Ø	Charr.	Charr./Catheter
OCHSNER			
A-SI-4952	10	6	
A-SI-4953	12	8	
A-SI-4954	14		
A10-SI -	16	12	
A-SI -4956	18 14		
A-SI -4957	20 16		
A-SI-4958	22	18	
A-SI-4959	24 20		
A-SI-4960	26 22		



LICHTWITZ A-SI-4963 1,8 mm Ø



PIERCE mm Ø **A**
-SI-4964 = 3,0 **A**
-SI-4965 = 4,0 **A**
-SI-4966 = 5,0

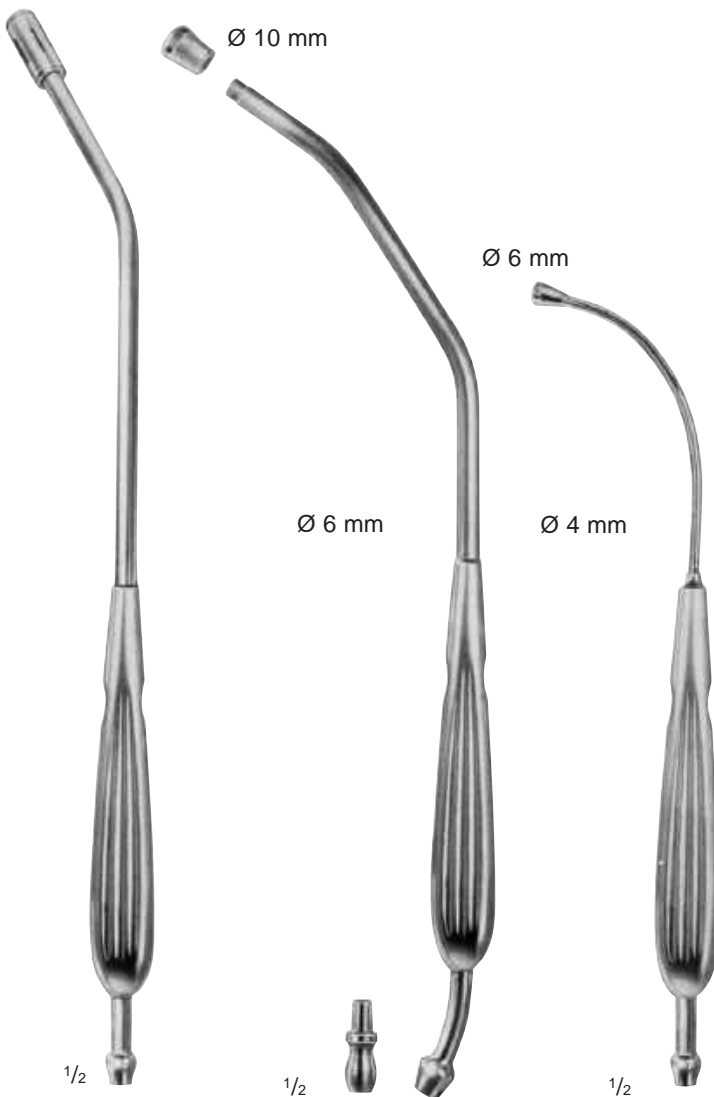


KRAUSE A
-SI-4967 5,5 mm Ø



COAKLEY A-SI-4968 2,5 mm Ø

, Antrum Puncture Trocars,



SENNING **A-SI-4969**
 = 8 mm **A-SI-4970**
 = 10 mm **A-SI-4971**
 = 12 mm
 31 cm / 12 1/4"

YANKAUER
A-SI-4972 27
 cm / 10 3/4"

ANDREW -
 PYNCHON
A-SI-4973



POOLE
A-SI-4974
 22 cm / 8 3/4"
 10 mm Ø, Charr .
 30

POOLE
A-SI-4975
 22 cm / 8 3/4"
 8 mm Ø, Charr .
 23



1/3

COOLEY A-SI-4976 36,0
cm / 14¹/₄ 48
mm Ø



1/3

COOLEY A-SI-4977 31,0 cm /
12¹/₄ 10 mm Ø
with perforated screw
tip



1/3

COOLEY A-SI-4978 31,0
cm / 12¹/₄ 48
mm Ø

with
perforated
screw tip



1/3

COOLEY A-SI-4979 31,0
cm / 12¹/₄ 48
mm Ø

with perforated screw
tip



1/2

ADSON
A-SI-4980
21 cm / 8 1/4", 4 mm Ø



1/2

ADSON
A-SI-4981
21 cm / 8 1/4", 4 mm Ø



1/2

FRAZIER
A-SI-4982 = 2,7 mm Ø
A-SI-4983 = 3,3 mm Ø
A-SI-4984 = 4,0 mm Ø
17 cm / 6 3/4"



1/2

FRAZIER
A-SI-4985 = 2,0 mm Ø
A-SI-4986 = 2,7 mm Ø
A-SI-4987 = 3,3 mm Ø
A-SI-4988 = 4,0 mm Ø
17 cm / 6 3/4"



1/2

FERGUSON **A-SI-4989** = 2,0 mm Ø **A-SI-4990** = 2,3 mm Ø **A-SI-4991** = 2,7 mm Ø **A-SI-4992** = 3,3 mm Ø **A-SI-4993** = 4,0 mm Ø
17 cm / 6 3/4"

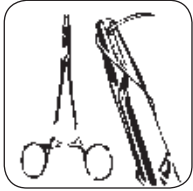


1/2

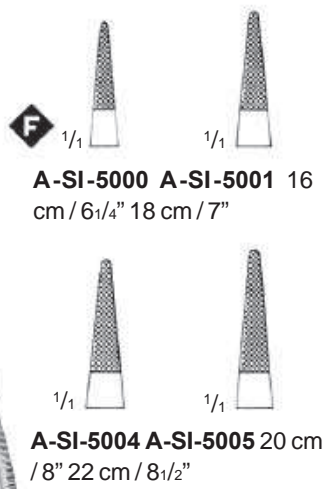
BARON
A-SI-4994 = 1,0 mm Ø **A-SI-4995** = 1,5 mm Ø **A-SI-4996** = 2,0 mm Ø
13 cm / 5"



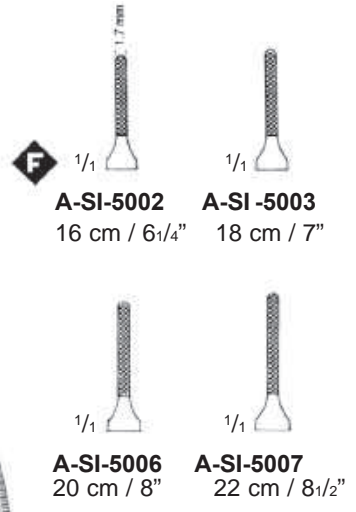
A-SI-4997 = Suction 1,8 mm
Irrigation 1,8 mm
A-SI-4998 = Suction 2,5 mm
Irrigation 2,0 mm
A-SI-4999 = Suction 3,0 mm
Irrigation 2,0 mm



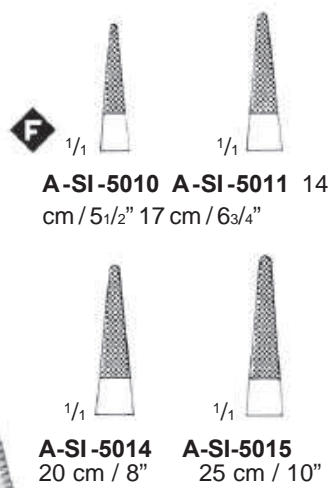
TOENNIS A-SI-5008



TOENNIS-RYDER A-SI-5009 slimline



LICHTENBERG A-SI-5018



LICHTENBERG-RYDER A-SI-5019 slimline

