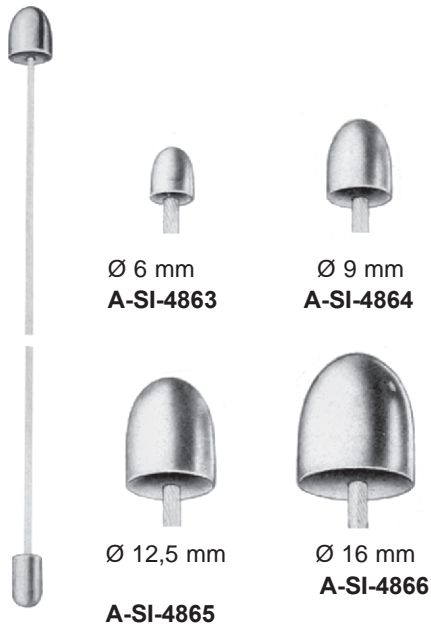
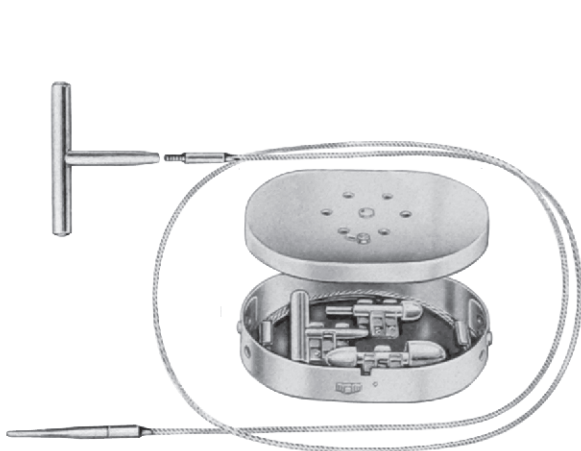
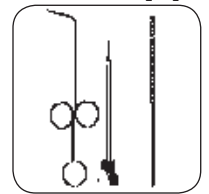


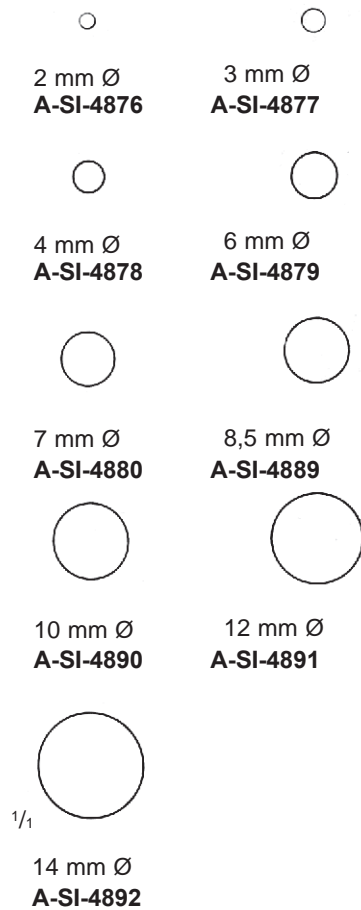
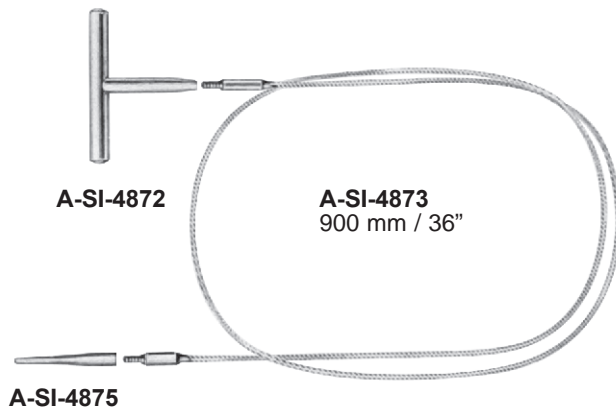
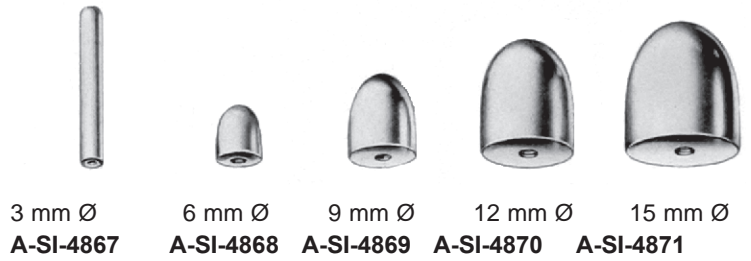
cm	in.			
11,5	4 1/2"	<b>A-SI-4846</b>		
13,0	5"	<b>A-SI-4847</b>	<b>A-SI-4852</b>	<b>A-SI-4859</b>
14,5	5 3/4"	<b>A-SI-4848</b>	<b>A-SI-4853</b>	<b>A-SI-4860</b>
16,0	6 1/4"	<b>A-SI-4849</b>	<b>A-SI-4854</b>	<b>A-SI-4861</b>
18,0	7"	<b>A-SI-4850</b>	<b>A-SI-4855</b>	<b>A-SI-4858</b>
20,0	8"	<b>A-SI-4851</b>	<b>A-SI-4856</b>	<b>A-SI-4862</b>

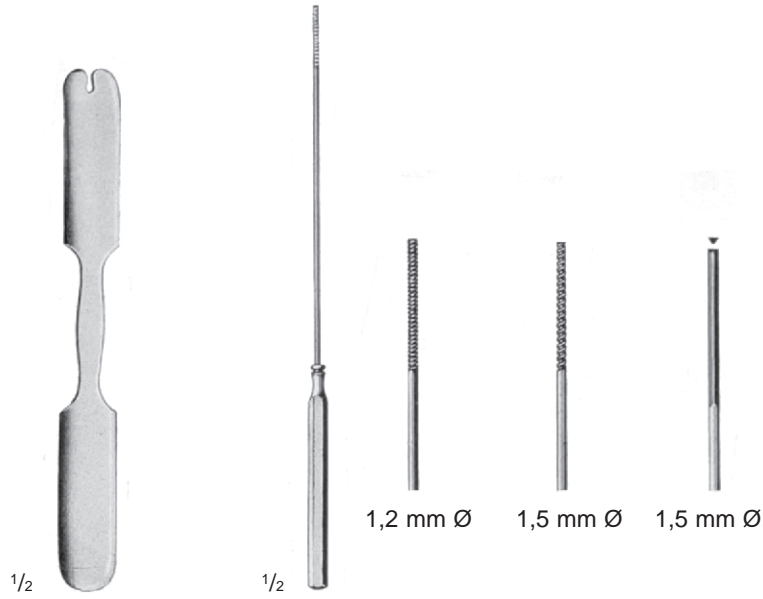
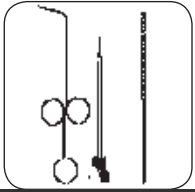


Ø 3,2 mm  
MYERS 910  
mm / 36"

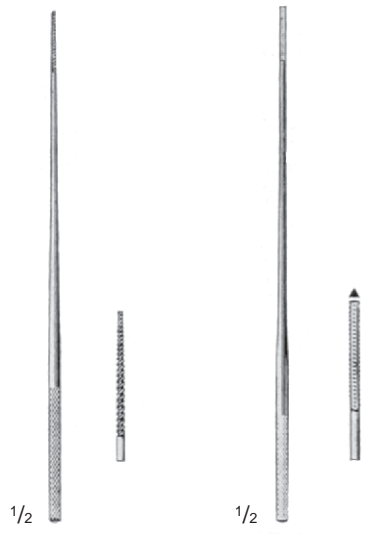


**NABATOFF**  
**A-SI-4874**

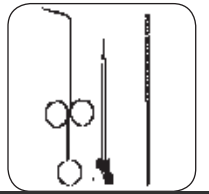




cm	in.	MOD. MARTIN		
12,0	4 <sup>3</sup> / <sub>4</sub> "	<b>A-SI-4894</b>	<b>A-SI-4895</b>	<b>A-SI-4896</b>
14,0	5 <sup>1</sup> / <sub>2</sub> "	<b>A-SI-4897</b>	<b>A-SI-4898</b>	<b>A-SI-4899</b>
14,5	5 <sup>3</sup> / <sub>4</sub> "	<b>14272-14</b>		
16,0	6 <sup>1</sup> / <sub>4</sub> "	<b>A-SI-4900</b>	<b>A-SI-4901</b>	<b>A-SI-4902</b>
18,0	7"	<b>A-SI-4903</b>	<b>A-SI-4904</b>	<b>A-SI-4905</b>



cm	in.	mm Ø	FARRELL	
12,0	4 <sup>3</sup> / <sub>4</sub> "	0,9	<b>A-SI-4906</b>	<b>A-SI-4907</b>
14,0	5 <sup>1</sup> / <sub>4</sub> "	0,9	<b>A-SI-4908</b>	<b>A-SI-4909</b>
16,5	6 <sup>1</sup> / <sub>2</sub> "	1,1	<b>A-SI-4910</b>	<b>A-SI-4911</b>
18,0	7"	1,2	<b>A-SI-4912</b>	<b>A-SI-4913</b>
23,0	9"	1,3	<b>A-SI-4914</b>	<b>A-SI-4915</b>



1/4  
**FEIN A-SI-4916** 28 cm / 11"



1/4



1/4

**A-SI-4917** 45 cm / 17 3/4"



1/4



1/4

**EDER A-SI-4918** 38 cm / 15"



1/2

**A-SI-4919** 28 cm / 11" 2,5 mm Ø



1/2

**A-SI-4920** 28 cm / 11" 2,5 mm Ø



**A-SI-4921**  
13 cm / 5"



**A-SI-4922**  
12 cm / 5"



**A-SI-4923** Ø 6 4,5 3,0 1,75 mm

Set of 4 pieces



1/2



Ø 6 4,5 3,0 1,75 mm

**A-SI-4924**

UNIVERSAL



STANDARD  
11 cm / 4 1/2"



STANDARD  
12 cm / 4 3/4"



STANDARD  
12 cm / 4 3/4"

Ø mm	A-SI-4925	A-SI-4932	A-SI-4940
3,0	A-SI-4925	A-SI-4932	A-SI-4940
3,5	A-SI-4926	A-SI-4933	A-SI-4941
4,0	A-SI-4927	A-SI-4934	A-SI-4942
4,5	A-SI-4928	A-SI-4935	A-SI-4943
5,0	A-SI-4929	A-SI-4936	A-SI-4944
5,5	A-SI-4930	A-SI-4937	A-SI-4945
6,0	A-SI-4931	A-SI-4938	A-SI-4946